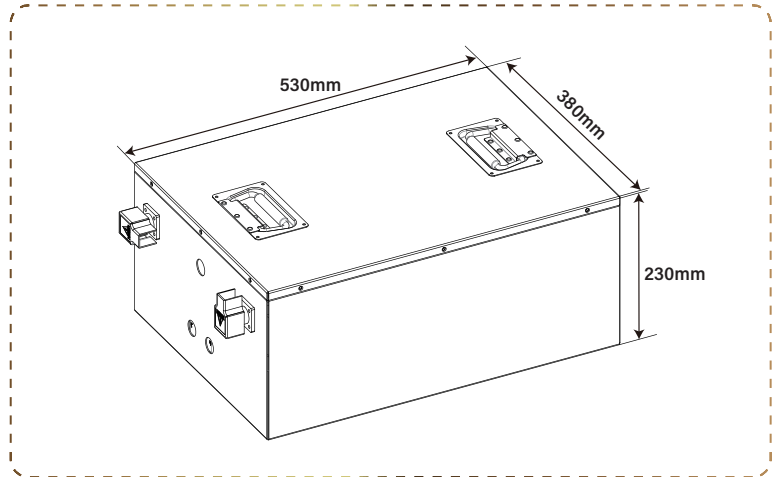
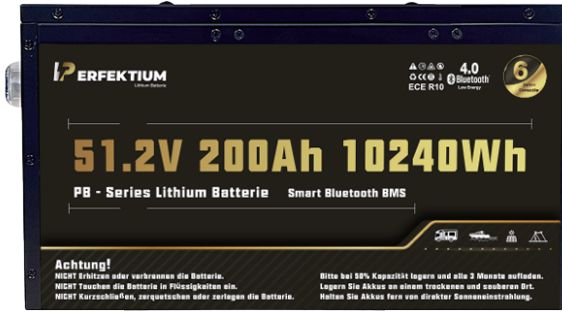




## PB-48-200



### LITHIUM BATTERY

#### Strong Advantages

- 6 Years Warranty
- Replacement of lead-acid battery
- Lighter weight and easier to handle
- Lithium iron phosphate is more stable
- Maximum service life of over 6000 cycles
- Long-lasting modular construction
- Screw opening, perfect crafted internal structure design

### BMS

#### Battery Management System

The BMS monitors and controls the individual cells of a battery and protects them from damage, such as overload and overvoltage



### BLUETOOTH 4.0 INTEGRATED

#### Multiple Battery Monitoring Function

Perfektium Pro APP can monitor up to 8 batteries at the same time. The SOC, voltage, current, temperature, available time of the batteries can be detective.



## Specification

Items	Characteristics
Model	51.2V 200Ah/10240Wh
Replaces Gel-AGM battery	51.2V 400Ah
Cell type	Prismatic cell
Dimension with terminals (L x W x H)	530*380*230mm
Weight (No Accessories)	88kg
Cycle Life	>6000@80%D.o.D
Internal Resistance	≤15 mΩ @ 50% SOC
Recommended Charge Voltage	58.4V
Float Charge Voltage (For standby use)	55.2±0.8V
Recommended Charge Current	60A
Max Charge Current	100A
Continuous Discharge Current	250A
Peak Discharge Cut-Off Current	600A (200~500ms)
Operating Voltage Range	40 - 58.4V
End of Discharge Voltage Range	36.8 - 44.8V
Terminal Type	M8
Ingress Protection Code	IP62
Charge Temperature	0~50°C
Discharge Temperature	-20~75°C
Storage Temperature	-5~35°C
Storage Condition	Charging the battery every 3 months
Series & Parallel Availability	Only 4 parallel at most
Certifications	CE/UL/UN38.3 /MSDS /ROHS/UN 3480/ CLASS9/ECE R10