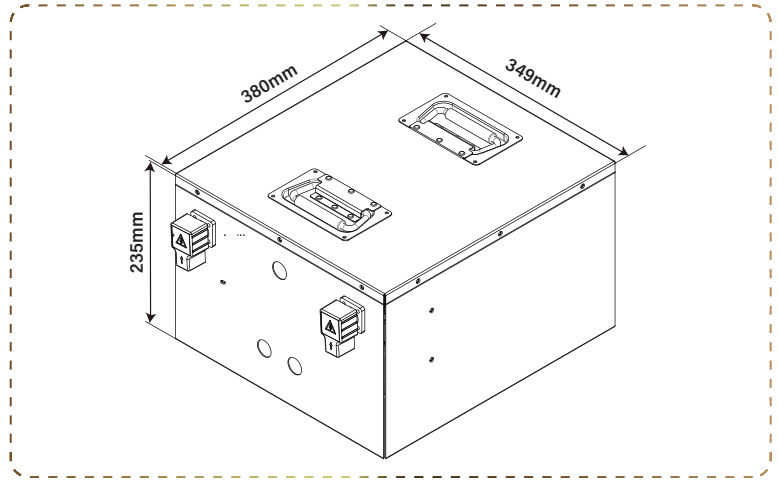




PB-48-100



LITHIUM BATTERY

Strong Advantages

- 6 Years Warranty
- Replacement of lead-acid battery
- Lighter weight and easier to handle
- Lithium iron phosphate is more stable
- Maximum service life of over 6000 cycles
- Long-lasting modular construction
- Screw opening, perfect crafted internal structure design

BMS

Battery Management System

The BMS monitors and controls the individual cells of a battery and protects them from damage, such as overload and overvoltage



BLUETOOTH 4.0 INTEGRATED Multiple Battery Monitoring Function

Perfektium Pro APP can monitor up to 8 batteries at the same time. The SOC, voltage, current, temperature, available time of the batteries can be detective.



Specification

| Items | Characteristics |
|--|---|
| Model | 51.2V 100Ah/5120Wh |
| Replaces Gel-AGM battery | 51.2V 200Ah |
| Cell type | Prismatic cell |
| Dimension with terminals (L x W x H) | 380*349*235mm |
| Weight (No Accessories) | 44kg |
| Cycle Life | >6000@80%D.o.D |
| Internal Resistance | ≤15 mΩ @ 50% SOC |
| Recommended Charge Voltage | 58.4V |
| Float Charge Voltage (For standby use) | 55.2±0.8V |
| Recommended Charge Current | 30A |
| Max Charge Current | 50A |
| Continuous Discharge Current | 200A |
| Peak Discharge Cut-Off Current | 600A (200~500ms) |
| Operating Voltage Range | 40 - 58.4V |
| End of Discharge Voltage Range | 36.8 - 44.8V |
| Terminal Type | M8 |
| Ingress Protection Code | IP62 |
| Charge Temperature | 0~50°C |
| Discharge Temperature | -20~75°C |
| Storage Temperature | -5~35°C |
| Storage Condition | Charging the battery every 3 months |
| Series & Parallel Availability | Only 4 parallel at most |
| Certifications | CE/UL/UN38.3 /MSDS /ROHS/UN 3480/ CLASS9/ECE R10 |