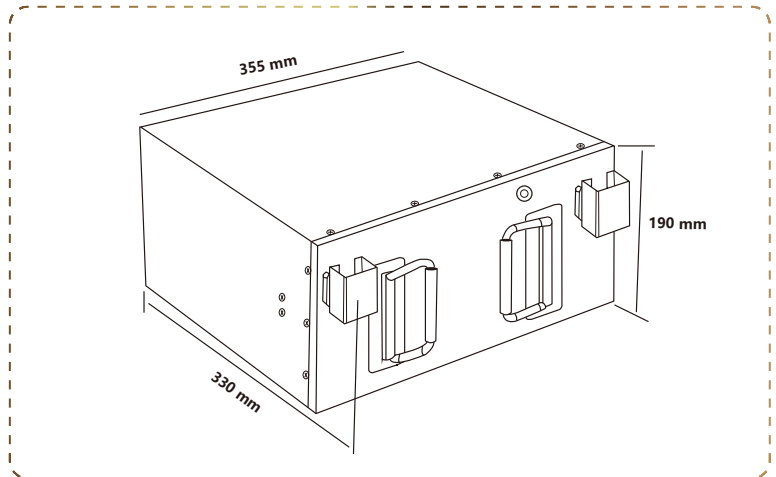


## PF-Underseat-12-280H



### LITHIUM BATTERY

#### Strong Advantages

- 6 Years Warranty
- Replacement of lead-acid battery
- Lighter weight and easier to handle
- Lithium iron phosphate is more stable
- Maximum service life of over 6000 cycles
- Long-lasting modular construction
- Screw opening, perfect crafted internal structure design

### ELECTRIC HEATING FILM

- Some of the Perfektium lithium batteries are equipped with heating films. You can use the battery in temperatures as low as -35 degrees Celsius when acting the heating films
- The heating film is an IP material and the heating effect is even
- The heating films do not consume any power from the battery itself

### BMS

#### Battery Management System

The BMS monitors and controls the individual cells of each battery and protects them from damage, such as overload and overvoltage

### BLUETOOTH 4.0 INTEGRATED Multiple Battery Monitoring Function

Perfektium Pro APP can monitor up to 8 batteries at the same time. The SOC, voltage, current, temperature, available time of the batteries can be detective.



## Specification

Items	Characteristics
Model	12.8V 280Ah/3584Wh
Replaces Gel-AGM battery	12.8V 560Ah
Cell type	Prismatic cell
Dimension with terminals (L x W x H)	355*190*288mm
Weight (No Accessories)	31kg
Cycle Life	>6000@80%D.o.D
Internal Resistance	≤15 mΩ @ 50% SOC
Recommended Charge Voltage	14.6V
Float Charge Voltage (For standby use)	13.8±0.8V
Recommended Charge Current	80A
Max Charge Current	140A
Continuous Discharge Current	200A
Peak Discharge Cut-Off Current	600A (200~500ms)
Operating Voltage Range	10 - 14.6V
End of Discharge Voltage Range	9.2 - 11.2V
Terminal Type	M8
Ingress Protection Code	IP62
Charge Temperature	0~50°C
Discharge Temperature	-20~75°C
Storage Temperature	-5~35°C
Heater Operating Temperature	-35~5°C
Storage Condition	Charging the battery every 3 months
Series & Parallel Availability	Maximum 4 pcs in series and 4 pcs in parallel
Certifications	CE/UL/UN38.3 /MSDS /ROHS/UN 3480/ CLASS9/ECE R10